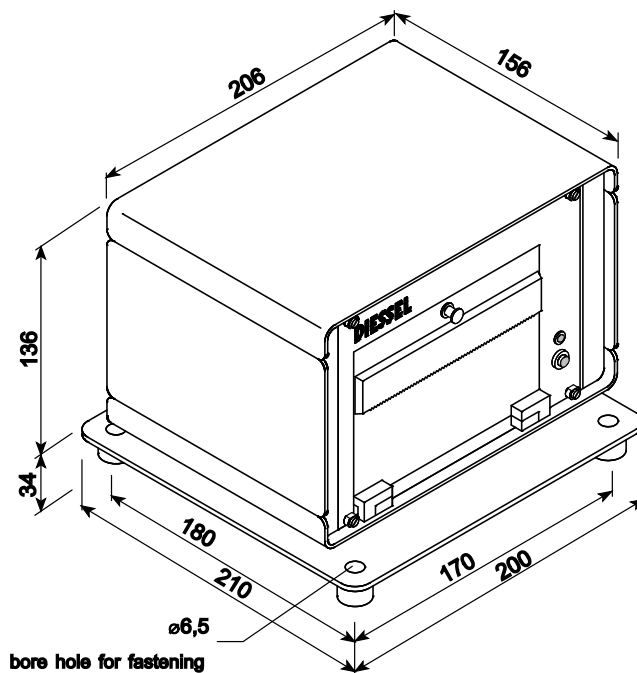


Features



- Thermoprinter:
Paper width: 112 mm, 832 dots per line.
- Can replace the **GEA Diessel** printer types **BP110**, **SD110**, and **JD84**.
- BUS-capable printer with integrated freely programmable computer.
- Print vouchers programmable in PASCAL.
- Possible control via different interfaces RS232, TTY, and RS485 CS3-Bus.
- Storage of the program for the print vouchers in the FLASH memory.
- Quick pulse counting input (e.g. odometer tap).
- Freely programmable *line feed key*.
- Selection of the different functions via escape control commands
- Weights & Measures-approved voucher print.
- Print-out of company's symbols, etc.
- Also available for front panel mounting.

Description

DI-PRINT™ is a freely programmable thermoprinter which is connected with the CS3 system via a serial interface (RS232, TTY) or the CS3-Bus connection. Thus, print vouchers can be directly stored in the memory and created by remote control. The existing interfaces enable a flexible print-out of data and messages of different systems (e.g. several meters or systems) via a printer.

The software of the built-in computer permits the number of characters per line, the character height, and the printing format to be selected.

The front panel is equipped with an LED which indicates the operating status and a key for the manual paper feed.

The printer features an automatic printing stop at paper end. Built into a field housing (for use on vehicles) it is installed on a mounting plate provided with shock absorbers. For stationary applications a version for front panel mounting is available.

The following prints can be realised:

- Printing of protocols/tickets
- Printing of laboratory data
- Printing of W&M-approved vouchers
- etc.
- Remote-controlled printing stations
- Central printing stations

Technical Data

| | | | |
|--------------------------------------------------------|-------------------------------------------------------------------------------------------------------------------------------------------------------------------------------------------------------------|-------|-------|
| Printing principle: | Thermoprinter, 832 dots/line | | |
| Characters/line: | 20, 40, 80 and further character sets (see the DI-PRINT™ manual) | | |
| Character height: | 3 different character heights (2.5 – 5.0 and 7.5 mm) | | |
| Printing speed: | 9 lines/second (in case of 2.5 mm character height) | | |
| Interface: | RS232, TTY, and CS3-Bus connection (RS485) | | |
| Pulse input: | $f_{max} = 2 \text{ kHz}$ $R_{ein} \Rightarrow 3 \text{ kilohms}$ $U_{ein} = 5 \dots 30 \text{ V}$ | | |
| Operating voltage: | 11.5 ... 30 V DC | | |
| Power consumption: | Static current: 210 mA / 12 V; 110 mA / 24 V Peak current: 5 A / 12 V; 2 A / 24 V | | |
| Connection cable for operating voltage: | 2.5 mm ² min. | | |
| Ambient temperature: | -15 ... +50°C | | |
| Dimensions of the field housing: | 170 x 210 x 200 mm (H x W x D) | | |
| Weight with field housing: | approx. 3.6 kg | | |
| Mounting dimensions of the front panel housing: | 194 x 145 x 175 mm (H x W x D) (cut-out 186 x 137 mm) | | |
| Weight with front panel housing: | approx. 1.8 kg | | |
| Fitting position: | horizontal | | |
| PTB approval: | approval symbol <table border="1" style="display: inline-table; vertical-align: middle;"><tr><td>5.574</td></tr><tr><td>91.51</td></tr></table> CE-compliant according to EMC regulations 89 / 336 / EEC | 5.574 | 91.51 |
| 5.574 | | | |
| 91.51 | | | |
| Paper: | Thermopaper, width 112 mm, 25 m roll, GEA Diessel stock no.: 231 229 | | |
| System of protection: | IP30 (the printer may not be used directly in wet areas.) | | |

Connections

Field housing

