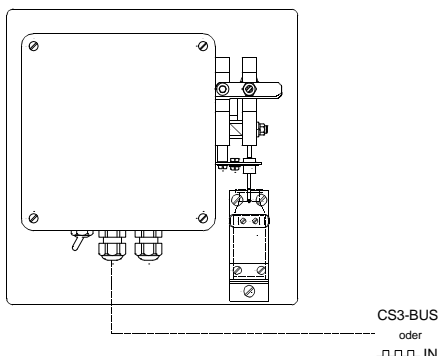


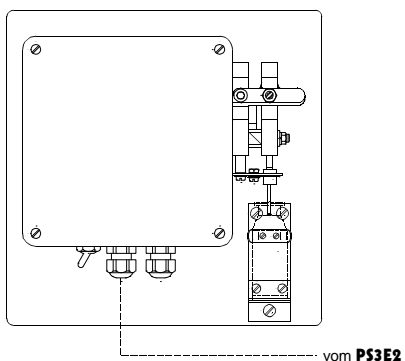
## PS3E1 (D75.22E)

Basic unit with pump head and integrated electronics for external control by Zevodat



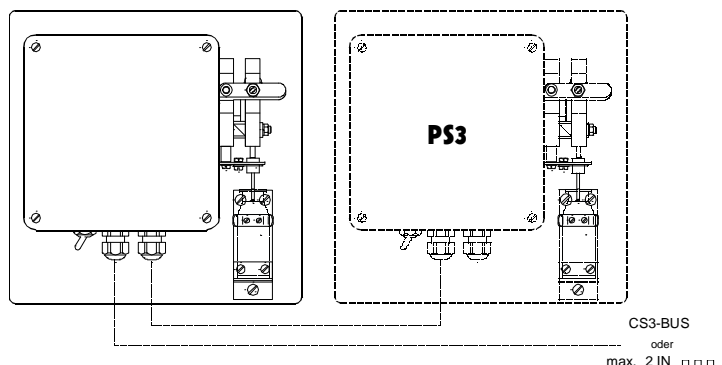
## PS3 (D75.22E)

Basic unit with pump head



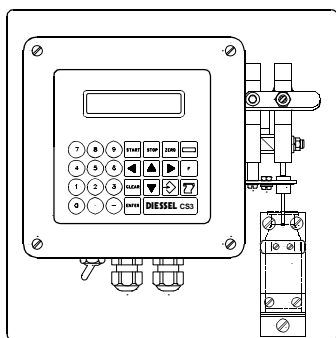
## PS3E2 (D75.22E)

Basic unit with pump head and (without control electronics) integrated electronics for external control by Zevodat as well as with a second basic unit (PS3)



## PS3I (D75.24E)

“Stand alone” system with pump head, integrated time or volume control and operating unit



Subject to technical alterations!

**GEA Diessel GmbH**  
Steven 1  
31135 Hildesheim  
Germany  
Phone: +49 (0)5121-742-0

**Peristaltic Sampler  
PS3 Overview**

**D 75.20 E**

Issued: 01.2005

Page -1- of -1- Pages