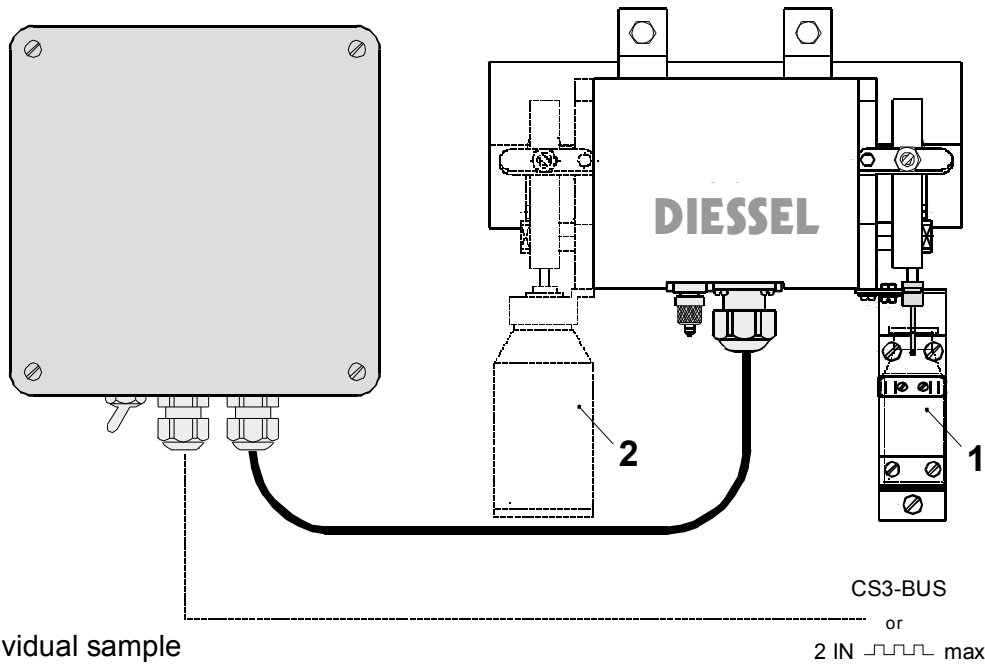


## PS4S (D75.25E)

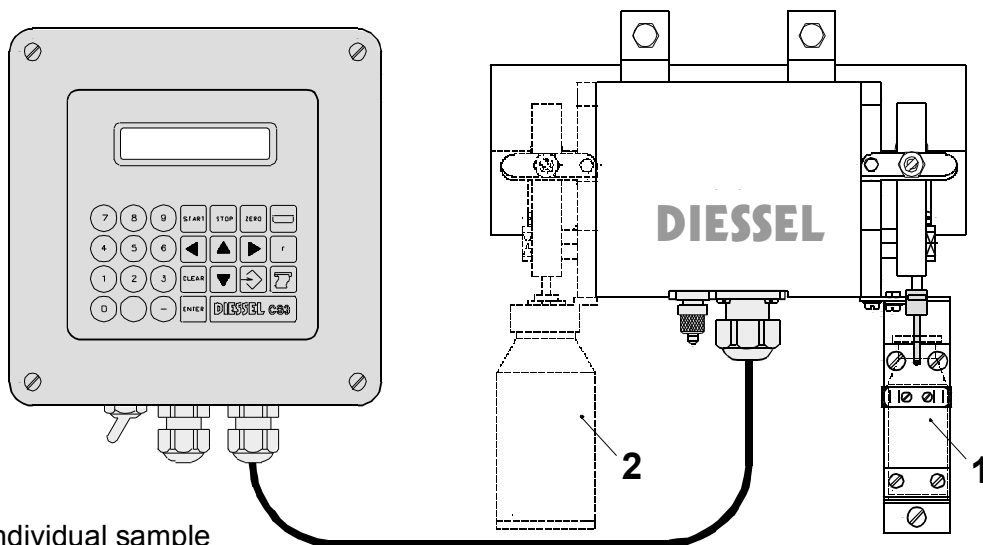
System with separate electronics for external control by Zevodat and with one or two pump heads



- 1 individual sample
- 2 tour sample

## PS4I (D75.26E)

“Stand alone“ system with separate time or volume control, operating unit, and two pump heads



- 1 individual sample
- 2 tour sample

**GEA Diessel GmbH**  
 Steven 1  
 31135 Hildesheim  
 Germany  
 ☎ +49 (0)5121-742-0

**Peristaltic Sampler  
 PS4 Overview**

**D 75.27 E**

Issued: 01.2005  
 Page -1- of -1- pages